

# US4-XXX

Mobile USB Solid State Drive

Rev:1.0

## **Note:**

Company will not give any notice for change of products specifications. This product manual is only for reference. Please contact with KingSpec Electronic Technology Co., Ltd. for more detail technical parameters and information.

**Shenzhen KingSpec Electronics Technology Co., Ltd.**

Tel: +86 0755-26985321

Fax: +86-0755-26985365

Web: [www.kingspec.com](http://www.kingspec.com)

---

**Table of content**

<b>1. Product information.....</b>	<b>3</b>
<b>1.1 Summary.....</b>	<b>3</b>
<b>1.2 Product model list.....</b>	<b>3</b>
<b>1.3 Features.....</b>	<b>3</b>
<b>1.4 Specifications.....</b>	<b>3</b>
<b>2. Measurements.....</b>	<b>4</b>
<b>3. Interface description/Pin description.....</b>	<b>4</b>

KingSpec Confidential

## 1. Product introduction

### 1.1 Summary

US4-XXX Series is a mobile USB Solid State Drive which has excellent performance and high reliability. This device is made of semiconductor and nonvolatile NAND Flash. The interface of the device is new Type-C, which supports positive and negative side plug in recognition. The data transfer speed achieves USB3.1 Gen2.

### 1.2 Product model list

Model	Flash Type	Capacity	Sequential Read	Sequential Write
US4-128	3D NAND	128GB	460~490MB/s	450~480MB/s
US4-256	3D NAND	256GB	460~490MB/s	450~480MB/s
US4-512	3D NAND	512GB	470~500MB/s	450~480MB/s
US4-1TB	3D NAND	1TB	480~510MB/s	450~480MB/s
US4-2TB	3D NAND	2TB	480~540MB/s	430~470MB/s

### 1.3 Features

1.3.1 USB3.1 Gen2 interface.

1.3.2 Support wear leveling.

1.3.3 Support Garbage collection.

1.3.4 Support Over-provisioning.

1.3.5 Support power management and intelligent management technology.

1.3.6 Support Native Command Queuing (NCQ) ;

1.3.7 Support TRIM (Disable Delete Notify) command;

1.3.8 Support Error Checking And Correcting(ECC);

### 1.4 Specifications

1.4.1 Interface protocol: USB3.1 Gen2;

1.4.2 Input voltage: DC 5V ( $\pm 5\%$ );

1.4.3 Operating temperature:  $-5^{\circ}\text{C} \sim 60^{\circ}\text{C}$ ;

1.4.4 Storage temperature:  $-20^{\circ}\text{C} \sim 75^{\circ}\text{C}$ ;

1.4.5 Physical dimension: 85.2mm length \* 20.5mm wide \* 8.0mm height  
error  $\pm 0.2$ mm;

1.4.6 Read life: unlimited;

1.4.7 MTBF: 1,000,000 hours;

1.4.8 Support Capacity: 128GB, 256GB, 512GB, 1TB, 2TB;

## 2. Measurements

L 85.2mm \* W 20.5mm \* H 8.0mm, Error  $\pm 0.2$ mm (e.g. Figure 1)

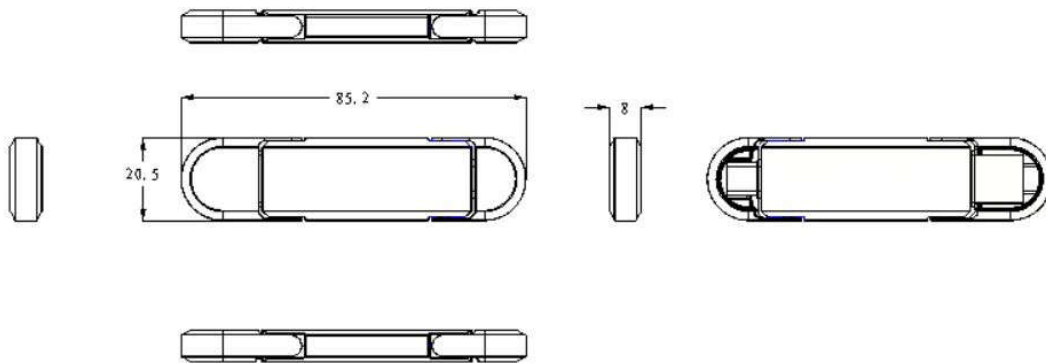


Figure 1

## 3. Interface description/Pin description

(e.g. Figure 2)

PIN	PIN Definition	PIN	PIN Definition
A1	GND	B1	GND
A2	TX1+	B2	TX2+
A3	TX1-	B3	TX2-
A4	VBUS	B4	VBUS
A5	CC1	B5	CC2
A6	D+	B6	/
A7	D-	B7	/
A8	/	B8	/
A9	VBUS	B9	VBUS
A10	RX2-	B10	RX1-
A11	RX2+	B11	RX1+
A12	GND	B12	GND

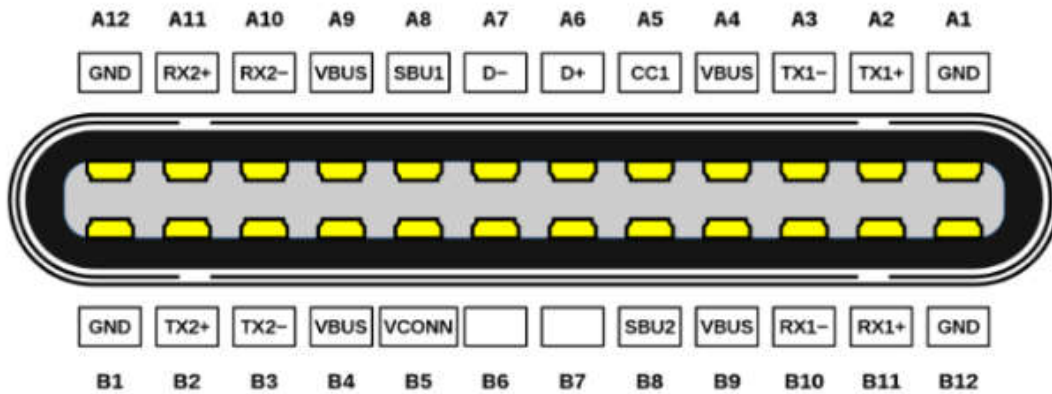


Figure 2